

MIC 750~3300TL-X

- Maximum efficiency of 97.6%
- Compact design
- Touch key& OLED display
- Flexible interface
- AFCI optional



P O W E R
- I N G O
T O M O -
R R O W O



Datasheet	MIC 750TL-X	MIC 1000TL-X	MIC 1500TL-X	MIC 2000TL-X	MIC 2500TL-X	MIC 3000TL-X	MIC 3300TL-X
Input data (DC)							
Max. recommended PV power (for module STC)	1050W	1400W	2100W	2600W	2800W	3500W	4290W
Max. DC voltage	500V	500V	500V	500V	550V	550V	550V
Start voltage	50V	50V	50V	50V	80V	80V	80V
Nominal voltage	120V	180V	250V	360V	360V	360V	360V
MPP voltage range	50V-500V	50V-500V	50V-500V	50V-500V	65V-550V	65V-550V	65V-550V
No. of MPP trackers	1						
No. of PV strings per MPP tracker	1						
Max. input current per MPP tracker	13A						
Max. short-circuit current per MPP tracker	16A						
Output data (AC)							
AC nominal power	750W	1000W	1500W	2000W	2500W	3000W	3300W
Max. AC apparent power	750VA	1000VA	1500VA	2000VA	2500VA	3000VA	3300VA
Nominal AC voltage (range*)	230V (180-280V)						
AC grid frequency (range*)	50/60 Hz (45-55Hz/55-65 Hz)						
Max. output current	3.6A	3.8A	7.1A	9.5A	11.9A	14.3A	14.3A
Adjustable power factor	0.8leading...0.8lagging						
THDI	<3%						
AC grid connection type	Single phase						
Efficiency							
Max. efficiency	97.4%	97.4%	97.4%	97.4%	97.6%	97.6%	97.6%
European efficiency	96.5%	96.5%	97.0%	97.0%	97.0%	97.1%	97.1%
MPPT efficiency	99.9%						
Protection devices							
DC reverse polarity protection	yes						
DC switch	yes						
AC/DC surge protection	Type III / Type III						
Insulation resistance monitoring	yes						
AC short-circuit protection	yes						
Ground fault monitoring	yes						
Grid monitoring	yes						
Anti-islanding protection	yes						
Residual-current monitoring unit	yes						
AFCI protection	Optional						
General data							
Dimensions (W / H / D)	274/254/138mm						
Weight	6kg	6kg	6kg	6kg	6.2kg	6.2kg	6.2kg
Operating temperature range	- 25°C ... +60°C						
Noise emission (typical)	≤25 dB(A)						
Nighttime power consumption	< 0.5W						
Topology	Transformerless						
Cooling	Natural convection						
Protection degree	IP65						
Relative humidity	0-100%						
Altitude	4000m						
DC connection	H4/MC4(Optional)						
AC connection	Connector						
Display	OLED+LED/WIFI+APP						
Interfaces: RS485 / USB/WI-FI/ GPRS/ RF/LAN	Yes/Yes/Optional/Optional/Optional /Optional						
Warranty: 5 years / 10 years	Yes /Optional						

CE,AS4777, AS/NZS 3100, CEI 0-21, VDE-AR-N 4105, VDE 0126-1-1, UTE C 15-712-1, EN50549, IEC 60068, IEC 61683, IEC 62116, IEC 61727, INMETRO, G98, C10/C11, UNE217001, UNE206007, PO12.2

* The AC voltage and frequency range may vary depending on specific country grid standard. All specifications are subject to change without notice.

GROWATT NEW ENERGY TECHNOLOGY Co.,LTD A: No.28 Guangmming Road, Longteng Community, Shiyao, Baoan District, Shenzhen, P.R.China.
T: + 86 755 2747 1900 F: + 86 755 2749 1460 E: info@ginverter.com

MIN 2500~6000 TL-XE

- Maximale efficiëntie van 98,4%
- Twee MPP trackers
- Type II SPD aan DC zijde
- Ondersteunt export- en vermogensbegrenzing
- Touch toets & OLED scherm



P O W E R
- I N G
T O M O -
R R O W

Growatt
powering tomorrow

www.ginverter.com

Datasheet	MIN 2500TL-XE	MIN 3000TL-XE	MIN 3600TL-XE	MIN 4200TL-XE	MIN 4600TL-XE	MIN 5000TL-XE	MIN 6000TL-XE
-----------	---------------	---------------	---------------	---------------	---------------	---------------	---------------

Ingang (DC)

Aanbevolen maximale PV vermogen	3500W	4200W	5040W	5880W	6440W	7000W	8100W
Maximale ingangsspanning	500V	500V	550V	550V	550V	550V	550V
Opstartspanning	100V						
Nominale ingangsspanning	360V						
MPP spanningbereik	80V-500V	80V-500V	80V-550V	80V-550V	80V-550V	80V-550V	80V-550V
Aantal MPP-trackers	2						
Aansluitingen per MPPT	1						
Maximale ingangsstroom per MPPT	12.5A						
Maximale kortsluit stroom per MPPT	16A						

Uitgang (AC)

Nominaal uitgangsvermogen	2500W	3000W	600W	4200W	4600W	5000W	6000W
Maximale uitgangsvermogen	2500VA	3000VA	3600VA	4200VA	4600VA	5000VA	6000VA
Nominale netspanning	230V (180-280V)						
Nominale netfrequentie (bereik)	50/60 Hz (45-55Hz/55-65 Hz)						
Maximale uitgangsstroom	11.3A	13.6A	16A	19A	20.9A	22.7A	27.2A
Aanpasbare arbeidsfactor	0.8 geleiding ... 0.8 na-ijling						
THDi	< 3%						
AC aansluiting	Enkelfase						

Efficiëntie

Maximale efficiëntie	98.2%	98.2%	98.2%	98.4%	98.4%	98.4%	98.4%
Europees gewogen efficiëntie	97.1%	97.1%	97.2%	97.5%	97.5%	97.5%	97.5%
MPPT efficiëntie	99.9%						

Veiligheids functies

DC polariteits beveiliging	Ja						
DC werkschakelaar	Ja						
DC/AC overspanningsbeveiliging	Type II / Type III						
PV isolatiebewaking	Ja						
AC kortsluitbeveiliging	Ja						
Aardlekbeveiliging	Ja						
Netspanningsbewaking	Ja						
Anti-eiland beveiliging	Ja						
Aardlek stroom sensor	Ja						
Vlamboogprotectie (AFCI)	Optioneel						

Algemene data

Afmetingen (B / H / D)	375/350/160mm						
Gewicht	10.8kg						
Bedrijfstemperatuur	-25°C ... +60°C						
Geluidsproductie	≤35 dB(A)						
Standby verbruik	< 1W						
Topologie	Transformatorloos						
Koeling	Passief						
Beschermingsgraad	IP65						
Relatieve luchtvochtigheid	0-100%						
Maximale bedrijfshoogte	4000m						
DC aansluitingstype	H4/MC4(Optional)						
AC aansluiting	Connector						
Display	OLED scherm en LED indicator / WIFI+ App						
Communicatie: RS485 / USB / WIFI / GPRS / RF/LAN	Ja/Ja/Optioneel/Optioneel/Optioneel/Optioneel						
Garantie: 10 jaar	Ja						

CE, CEI 0-21, VDE-AR-N 4105, VDE 0126-1-1, UTE C 15-712-1, EN 50549, IEC 62116, IEC 61727, G99, C10/C11, UNE217001, UNE206007, PO12.2

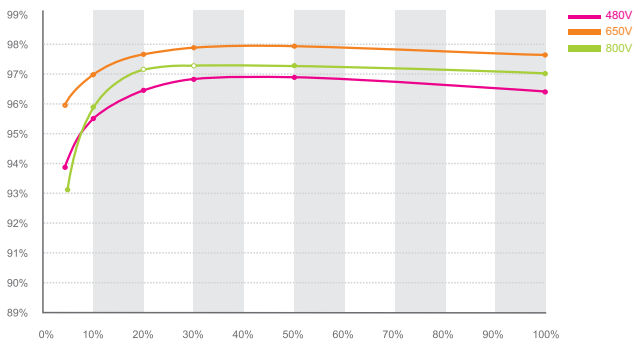
* De netspanning en frequentie kunnen per land verschillen.
Alle specificaties zijn onderhevig aan verandering zonder kennisgeving.

Leading - edge Technology

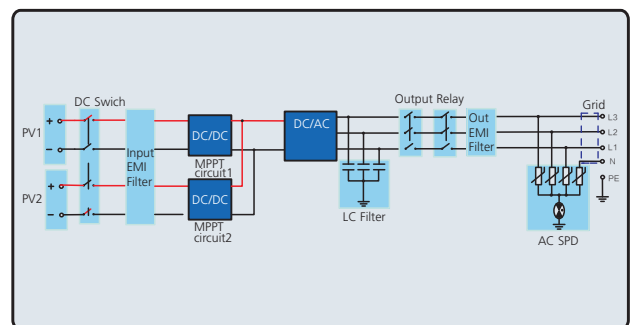
- ▶ Max. DC voltage up to 1000V
- ▶ Max. efficiency 98%
- ▶ Compact design
- ▶ Multi MPP controller
- ▶ Natural cooling
- ▶ High power density, offer lighter and easy installation
- ▶ Comprehensive Growatt warranty program



Growatt 6000TL3-S efficiency



Growatt 3-6kTL3-S topology



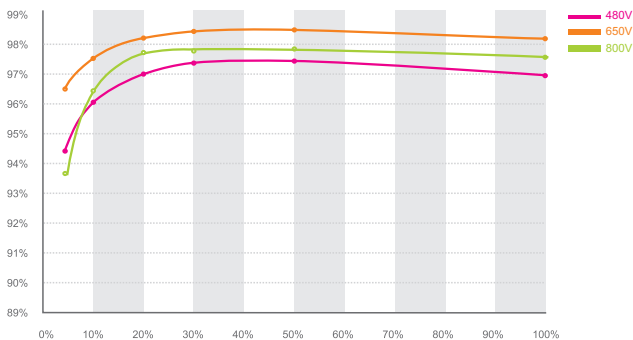
Datasheet	Growatt 3000TL3-S	Growatt 4000TL3-S	Growatt 5000TL3-S	Growatt 6000TL3-S
Input data				
Max. recommended PV power (for module STC)	3600W	4800W	6000W	7200W
Max. DC voltage	1000V	1000V	1000V	1000V
Start Voltage	140V	140V	140V	140V
PV voltage range	140V-1000V	140V-1000V	140V-1000V	140V-1000V
Nominal voltage	620V	620V	620V	620V
MPP voltage range at Full Power	160V-800V	200V-800V	250V-800V	290V-800V
Max. input current	11A/11A	11A/11A	11A/11A	11A/11A
Number of independent MPP trackers/ strings per MPP tracker	2/1	2/1	2/1	2/1
Output (AC)				
Rated AC output power	3000W	4000W	5000W	6000W
Max AC apparent power	3000VA	4000VA	5000VA	6000VA
Max. output current	5.1A	6.8A	8.5A	10.2A
AC nominal voltage	230V/400V	230V/400V	230V/400V	230V/400V
AC grid frequency	50Hz/60Hz	50Hz/60Hz	50Hz/60Hz	50Hz/60Hz
Power factor	0.8leading - 0.8laging	0.8leading - 0.8laging	0.8leading - 0.8laging	0.8leading - 0.8laging
THDi	<3%	<3%	<3%	<3%
AC grid connection type	3W+N+PE	3W+N+PE	3W+N+PE	3W+N+PE
Efficiency				
Max. efficiency	97.5%	97.8%	98.0%	98.0%
Euro - eta	96.5%	96.7%	96.9%	97.1%
MPPT efficiency	99.5%	99.5%	99.5%	99.5%
Protection Devices				
DC reverse polarity protection	yes	yes	yes	yes
DC switch	yes	yes	yes	yes
Output over current protection	yes	yes	yes	yes
Output AC overvoltage Protection - Varistor	yes	yes	yes	yes
Ground fault monitoring	yes	yes	yes	yes
Grid monitoring	yes	yes	yes	yes
Integrated all-pole sensitive leakage current monitoring unit	yes	yes	yes	yes
General Data				
Dimensions(W/H/D)	480/448/200 mm	480/448/200 mm	480/448/200 mm	480/448/200 mm
Weight	21.2kg	21.2kg	21.2kg	21.2kg
Operating temperature range	-25 °C ... +60 °C	-25 °C ... +60 °C	-25 °C ... +60 °C	-25 °C ... +60 °C
Noise emission (typical)	≤35 dB(A)	≤35 dB(A)	≤35 dB(A)	≤35 dB(A)
Altitude	3000m	3000m	3000m	3000m
Self-consumption night	< 0.5W	< 0.5W	< 0.5W	< 0.5W
Topology	Transformerless	Transformerless	Transformerless	Transformerless
Cooling concept	Natural	Natural	Natural	Natural
Environmental Protection Rating	IP65	IP65	IP65	IP65
Relative humidity	0~100%	0~100%	0~100%	0~100%
Features				
DC connection	H4/MC4(opt)	H4/MC4(opt)	H4/MC4(opt)	H4/MC4(opt)
AC connection	Screw terminal	Screw terminal	Screw terminal	Screw terminal
Display	LCD	LCD	LCD	LCD
Interfaces:RS232/RS485/RF/Ethernet/Wi-Fi	yes/yes/opt/opt/opt	yes/yes/opt/opt/opt	yes/yes/opt/opt/opt	yes/yes/opt/opt/opt
Warranty:5 years/10 years	yes/opt	yes/opt	yes/opt	yes/opt
Certificates and Approvals				

Leading - edge Technology

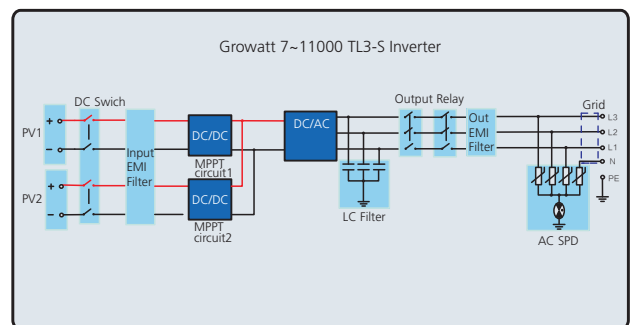
- ▶ Max. DC Voltage up to 1000V
- ▶ Max efficiency 98.4%
- ▶ Compact design
- ▶ Multi MPP controller
- ▶ Natural cooling, fanless design
- ▶ High power density, offer lighter and easy installation
- ▶ Flexible communication connection, support RF, WiFi, Ethernet
- ▶ Comprehensive Growatt warranty program



Growatt 11000TL3-S efficiency



Growatt 7-11kTL3-S topology



Datasheet	Growatt 7000TL3-S	Growatt 8000TL3-S	Growatt 9000TL3-S	Growatt 10000TL3-S	Growatt 11000TL3-S
Input data					
Max. recommended PV power (for module STC)	8400W	9600W	10800W	12000W	13200W
Max. DC voltage	1000V	1000V	1000V	1000V	1000V
Start Voltage	160V	160V	160V	160V	160V
PV voltage range	160V-1000V	160V-1000V	160V-1000V	160V-1000V	160V-1000V
Nominal voltage	600V	600V	600V	600V	600V
MPP voltage range at Full Power	320V-850V	360V-850V	400V-850V	450V-850V	450V-850V
Max. input current	11.5A/11.5A	11.5A/11.5A	11.5A/11.5A	13A/13A	13A/13A
Number of independent MPP trackers/strings per MPP tracker	2/1	2/1	2/1	2/1	2/1
Output (AC)					
Rated AC output power	7kW	8kW	9kW	10kW	11kW
Max AC apparent power	7.7kVA	8.8kVA	9.9kVA	11kVA	12.1kVA
Max. output current	11.7A	13.3A	15A	16.7A	18.3A
AC nominal voltage	230V/400V	230V/400V	230V/400V	230V/400V	230V/400V
AC grid frequency	50Hz/60Hz	50Hz/60Hz	50Hz/60Hz	50Hz/60Hz	50Hz/60Hz
Adjustable power factor	0.8leading - 0.8laging	0.8leading - 0.8laging	0.8leading - 0.8laging	0.8leading - 0.8laging	0.8leading - 0.8laging
THDi	<3%	<3%	<3%	<3%	<3%
AC grid connection type	3W+N+PE	3W+N+PE	3W+N+PE	3W+N+PE	3W+N+PE
Efficiency					
Max. efficiency	98.3%	98.3%	98.4%	98.4%	98.4%
Euro - eta	97.5%	97.8%	98%	98%	98%
MPPT efficiency	99.5%	99.5%	99.5%	99.5%	99.5%
Protection Devices					
DC reverse polarity protection	yes	yes	yes	yes	yes
DC switch	yes	yes	yes	yes	yes
Output over current protection	yes	yes	yes	yes	yes
Output AC overvoltage Protection - Varistor	yes	yes	yes	yes	yes
Ground fault monitoring	yes	yes	yes	yes	yes
Grid monitoring	yes	yes	yes	yes	yes
Integrated all-pole sensitive leakage current monitoring unit	yes	yes	yes	yes	yes
General Data					
Dimensions(W/H/D)	480/448/200 mm	480/448/200 mm	480/448/200 mm	480/448/200 mm	480/448/200 mm
Weight	21.6kg	21.6kg	21.6kg	21.6kg	21.6kg
Operating temperature range	-25 °C ... +60 °C	-25 °C ... +60 °C	-25 °C ... +60 °C	-25 °C ... +60 °C	-25 °C ... +60 °C
Noise emission (typical)	≤35 dB(A)	≤35 dB(A)	≤35 dB(A)	≤35 dB(A)	≤35 dB(A)
Altitude	3000m	3000m	3000m	3000m	3000m
Self-consumption night	< 0.5W	< 0.5W	< 0.5W	< 0.5W	< 0.5W
Topology	Transformerless	Transformerless	Transformerless	Transformerless	Transformerless
Cooling concept	Natural	Natural	Natural	Natural	Natural
Environmental Protection Rating	IP65	IP65	IP65	IP65	IP65
Relative humidity	0~100%	0~100%	0~100%	0~100%	0~100%
Features					
DC connection	H4/MC4(opt)	H4/MC4(opt)	H4/MC4(opt)	H4/MC4(opt)	H4/MC4(opt)
AC connection	Screw terminal	Screw terminal	Screw terminal	Screw terminal	Screw terminal
Display	LCD	LCD	LCD	LCD	LCD
Interfaces:RS232/RS485/RF/Ethernet/Wi-Fi	yes/yes/opt/opt/opt	yes/yes/opt/opt/opt	yes/yes/opt/opt/opt	yes/yes/opt/opt/opt	yes/yes/opt/opt/opt
Warranty:5 years/10 years	yes/opt	yes/opt	yes/opt	yes/opt	yes/opt
Certificates and Approvals					